

FEDERAL SIGNAL CORPORATION

***FC SERIES
SIREN CONTROLLER***

***INSTALLATION, OPERATION AND
USER'S MANUAL***

SAFETY NOTICES

People's lives depend on your selection of suitable equipment and installation sites and your safe installation, service, and operation of our products. Federal Signal recommends the following publications from the Federal Emergency Management Agency for assistance with planning an outdoor warning system: 1. The "Outdoor Warning Guide (CPG 1-17), 2. "Civil Preparedness, Principles of Warning" (CPG 1-14), 3. FEMA-REP-1, Appendix 3 (Nuclear Plant Guideline), and 4. FEMA-REP-10 (Nuclear Plant Guideline). Contact Public Safety Systems Customer Care Center at: <http://www.federalpublicsafety.com> or 1-800-524-3021 for further information about these publications.

It is important to read, understand and follow all instructions shipped with this product. In addition, listed below are some other important safety instructions and precautions you should follow.

PLANNING

- If suitable warning equipment is not selected, the installation site for the siren is not selected properly or the siren is not installed properly, it may not produce the intended optimum audible warning. Follow Federal Emergency Management Agency (FEMA) recommendations.
- If sirens are not activated in a timely manner when an emergency condition exists, they cannot provide the intended audible warning. It is imperative that knowledgeable people, who are provided with the necessary information, are available at all times to authorize the activation of the sirens.
- When sirens are used out of doors, people indoors may not be able to hear the warning signals. Separate warning devices or procedures may be needed to effectively warn people indoors.
- The sound output of sirens is capable of causing permanent hearing damage. To prevent excessive exposure, carefully plan siren placement, post warnings, and restrict access to areas near sirens.
- Activating the sirens may not result in people taking the desired actions if those to be warned are not properly trained about the meaning of siren sounds. Siren users should follow FEMA recommendations and instruct those to be warned of correct actions to be taken.
- A siren that does not work will not provide any warning. After installation, service, or maintenance, test the siren system to confirm that it is operating properly. Test the system regularly to confirm that it will be operational in an emergency.
- If future service and operating personnel do not have these instructions to refer to, the siren system may not provide the intended audible warning and service personnel may be exposed to permanent hearing loss, bodily injury, or death. File these instructions in a safe place and refer to them periodically. Give a copy of these instructions to new recruits and trainees. Also give a copy to anyone who is going to service or repair the siren.

SAFETY NOTICES

People's lives depend on your safe installation, service and operation of our products. It is important to read, understand and follow all instructions shipped with this product. In addition, listed below are some other important safety instructions and precautions you should follow:

INSTALLATION & SERVICE

- Electrocutation or severe personal injury can occur when performing various installation and service functions such as making electrical connections, drilling holes, or lifting equipment. Therefore experienced electricians in accordance with national, state and any other electrical codes having jurisdiction should perform installation. All work should be performed under the direction of the installation or service crew safety foreman.
- The sound output of sirens is capable of causing permanent hearing damage. To prevent excessive exposure, carefully plan siren placement, post warnings and restrict access to areas near the sirens. Sirens may be operated from remote control points. Whenever possible, disconnect all siren power including batteries before working near the siren.
- After installation or service, test the siren system to confirm that it is operating properly. Test the system regularly to confirm that it will be operational in an emergency.
- If future service personnel do not have these warnings and all other instructions shipped with the equipment to refer to, the siren system may not provide the intended audible warning and service personnel may be exposed to death, permanent hearing loss, or other bodily injury. File these instructions in a safe place and refer to them periodically. Give a copy of these instructions to new recruits and trainees. Also, give a copy to anyone who is going to service or repair the sirens. For additional copies, call the Public Safety Systems Customer Care Center at 800-524-3021 or write to them at 2645 Federal Signal Drive, University Park, IL 60484.

OPERATION

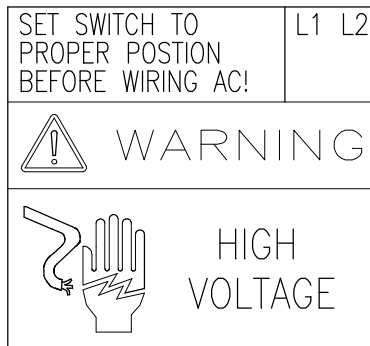
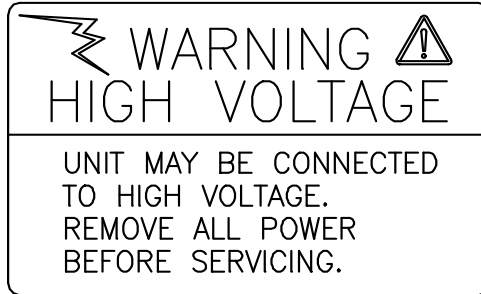
Failure to understand the capabilities and limitations of your siren system could result in permanent hearing loss, other serious injuries or death to persons too close to the sirens when you activate them or to those you need to warn. Carefully read and thoroughly understand all safety notices in this manual and all operations-related-items in all instruction manuals shipped with equipment. Thoroughly discuss all contingency plans with those responsible for warning people in your community, company, or jurisdiction.

WARNING

Read and understand the information contained in this manual, before attempting to install or service this siren.

Pay careful attention to the following notices located on the equipment.

NOTICES – INTERNALLY PLACED



Limited Warranty

*The Signal Division, **Federal Signal Corporation**, warrants each new product to be free from defects in material and workmanship, under normal use and service, for a period of two years on parts replacement and bench labor (one year for Informer, EAS, and Federal software products) from the date of delivery to the first user-purchaser. Public Safety Systems warrants every 2001 Siren (Top of pole only) to be free from defects in material, per our standard warranty, under normal use and service for a period of five years on parts replacement.*

During this warranty period, the obligation of Federal is limited to repairing or replacing, as Federal may elect, any part or parts of such product which after examination by Federal discloses to be defective in material and/or workmanship.

Federal will provide warranty for any unit which is delivered, transported prepaid, to the Federal factory or designated authorized warranty service center for examination and such examination reveals a defect in material and/or workmanship.

This warranty does not cover travel expenses, the cost of specialized equipment for gaining access to the product, or labor charges for removal and re-installation of the product. The Federal Signal Corporation warranty shall not apply to components or accessories that have a separate warranty by the original manufacturer, such as, but not limited to, batteries.

This warranty does not extend to any unit which has been subjected to abuse, misuse, improper installation or which has been inadequately maintained, nor to units which have problems related to service or modification at any facility other than Federal factory or authorized warranty service centers. Moreover, Federal shall have no liability with respect to defects arising in Products through any cause other than ordinary use (such as, for example, accident, fire, lightning, water damage, or other remaining acts of god).

THERE ARE NO OTHER WARRANTIES, EXPRESSED OR IMPLIED, INCLUDING BUT NOT LIMITED TO, ANY IMPLIED WARRANTIES OF MERCHANTABILITY OR FITNESS FOR A PARTICULAR PURPOSE. IN NO EVENT SHALL FEDERAL BE LIABLE FOR ANY LOSS OF PROFITS OR ANY INDIRECT OR CONSEQUENTIAL DAMAGES ARISING OUT OF ANY SUCH DEFECT IN MATERIAL WORKMANSHIP.



2645 Federal Signal Drive, University Park, IL 60484
Phone: (800) 524-3021 Fax: (708) 534-4874
Website: <http://www.federalsignalpublicsafety.com>

TABLE OF CONTENTS

| Paragraph | | Page |
|--|--|------|
| SECTION I - CHARACTERISTICS | | |
| 1-1. | GENERAL | 1-1 |
| SECTION II - SPECIFICATIONS | | |
| 2-1. | CONTROLLER SPECIFICATIONS | 2-1 |
| 2-2. | SIGNALING FORMAT SPECIFICATIONS | 2-1 |
| 2-3. | OPTIONAL RF RECEIVER SPECIFICATIONS | 2-2 |
| SECTION III - INSTALLATION | | |
| 3-1. | SIREN CONTROLLER INSTALLATION | 3-1 |
| 3-2. | FACTORS AFFECTING RADIO RECEPTION AND ANTENNA CONNECTION | 3-8 |
| 3-3. | PRE-OPERATION CHECKOUT | 3-8 |
| SECTION IV – RF RECEIVER DESCRIPTION, ALIGNMENT AND TESTING | | |
| 4-1. | RECEIVER MODULE GENERAL DESCRIPTION | 4-1 |
| 4-2. | FEATURES | 4-1 |
| 4-3. | TERMINAL STRIPS & JACKS, CONTROLS | 4-1 |
| 4-4. | THEORY OF OPERATION | 4-2 |
| 4-5. | TEST AND ALIGNMENT | 4-3 |
| 4-6. | TCS/DCS PROGRAMMING..... | 4-4 |
| SECTION V - MAINTENANCE AND SPARE PARTS | | |
| 5-1. | PREVENTIVE MAINTENANCE | 5-1 |
| 5-2. | INSPECTION..... | 5-1 |
| 5-3. | POWER SUPPLY TESTING..... | 5-1 |
| 5-4. | SERVICE | 5-1 |
| 5-5. | SPARE PARTS LIST | 5-1 |
| LIST OF ILLUSTRATIONS | | |
| Figure | | Page |
| 3-1. | <i>Typical Installation</i> | 3-1 |
| 3-2. | <i>Contactors Wiring</i> | 3-2 |
| 4-1. | <i>PL Programming Chart</i> | 4-5 |
| 5-1. | <i>FC Assembly Drawing</i> | 5-2 |

SECTION I

CHARACTERISTICS

1-1. GENERAL.

The *FC* series siren control units provide RF and/or wire line control of individually programmable timing cycles for contact closure outputs. The versatility of the *FC* makes it an ideal choice for virtually all siren control applications or any other process that can be controlled via relay contacts.

A. Features

The microprocessor based controller contains the following features:

- ♣ *Synthesized Radio Receiver (Low Band, High Band, or UHF - 3 separate models)*
- ♣ *Two-Tone, DTMF, EAS, POCSAG & FSK Decoders*
- ♣ *Up to 4 Individually Programmable Output Relays*
- ♣ *Siren Tone Generator*
- ♣ *Push Buttons for Local Control*
- ♣ *Contact Closure Inputs for Land Line Control*
- ♣ *RS232 Programming Port*
- ♣ *Diagnostic LEDs*
- ♣ *Single PCB Reliability*
- ♣ *Integral LCD displays Function Counters, Decoded 2-Tone, DTMF, POCSAG, MSK Digital functions decoded and current Software Revision.*

B. Programmability

All functions of the *FC* controller are programmable from a XP compatible computer with an RS232 port using Federal Signal's easy to use *FSPWARE* programming software. The software allows easy configuration, uploading and downloading of control programs.

Programming options include:

- ♣ *Radio Receiver Frequency*
- ♣ *Single and Two-Tone Sequential Decode Tones & Tone Lengths*
- ♣ *DTMF Decode Digits*
- ♣ *EAS Events and Locations*
- ♣ *POCSAG messages*
- ♣ *Output Relay Timing Patterns*
- ♣ *Tone Generation Frequencies & Durations*

Up to six (6) control timing sequences may be programmed into the controller. Standard siren control timings can be chosen or custom relay output timings can be designed. The control functions can be activated from any combination of six (6) Single Tone, Two Tone Sequential and/or DTMF tones. Timing sequences can also be initiated using the local push buttons and contact closure inputs.

Configuration programs are stored in nonvolatile E² memory to ensure retention even during a complete power failure.

The Function Counter values, last decoded signal and current software revision are scrolled across the built-in LCD display.

SECTION II SPECIFICATIONS

2-1. CONTROLLER SPECIFICATIONS

Electrical

| | |
|--|---|
| AC Power Inputs | 120 or 208 - 240 VAC +/- 10%, 50-60 Hz |
| 12VDC Battery Input | 11 - 15 VDC @ JP5-2 |
| 48VDC Battery Input | 15 - 75 VDC @ JP5-4 |
| Input Current @ _{120 VAC} | 180 mA AC (maximum) |
| Input Current @ _{12 VDC} | 400 mA DC (maximum) |
| Relay Outputs | SPST (2 relays standard, 4 relays maximum) 5 A @ 30 VDC 5 A @ 240 VAC |
| Relay Output Timings | 0.5 seconds to 999 seconds |

2-2. SIGNALING FORMAT SPECIFICATIONS

6 user programmable functions are available in addition to the 5 preset functions: ARM, DISARM, REPORT, GROWL TEST, and MASTER RESET. Wildcard options can be used for each of the DTMF strings.

Two-Tone Sequential

| | |
|-----------------|--|
| Frequency range | 282 Hz - 3000 Hz |
| Tone timing | 0.5 sec - 0.25 sec minimum to 8 sec max. |
| Intertone Gap | 400 ms (maximum) |
| Tone Accuracy | +/- 1.5% |
| Tone Spacing | 5.0% |

Single Tone

| | |
|----------------------|--------------------------|
| Frequency range | 282 Hz - 3000 Hz |
| Tone timing | 0.5 sec. - 8 sec maximum |
| Tone Accuracy | +/- 1.5% |
| Minimum Tone Spacing | 5.0% |

DTMF

| | |
|--------------------------------------|--|
| String length | (All timings in milliseconds) 3 - 12 standard DTMF characters |
| Mark/Space timing: | |
| Decoder Minimum | 50ms/50ms (below 50/50 consult factory) |
| Decoder Maximum | 800ms total mark/space timing per function |
| Encoder | 100ms/100ms mark/space timing |
| Space between Stacked codes, minimum | 1.25 seconds |

FSK

| | |
|-----------------|-------------------------|
| Baud rate | 1200 bps |
| Modem type | MSK (minimal shift key) |
| Mark frequency | 1200 Hz |
| Space frequency | 1800 Hz |
| Error checking | 16 bit CRC |

EAS

AFSK 520.83 bits per second up to three location codes

POCSAG

Binary frequency shift keying 512, 1200, or 2400 bits/s

Relay Outputs

4 relay outputs
Contact Rating

SPST (2 relays standard, 4 relays max.)
5 A @ 28 VDC
5 A @ 240 VAC

Audio Output (Optional)

Output Voltage
Maximum Load
Total Harmonic Distortion

$>2 V_{P-P}$
8 ohms
< 10% @ 1 kHz sine wave

Serial Communications

Serial Port Configuration

RS232C 1200,N,8,1, DCE

Environmental

Operating Temperature

-30 to +60° C

Dimensions (H x W x D)

Height
Width
Depth

13.50 ''
9.84 ''
6.00 ''

2-3. OPTIONAL RF RECEIVER SPECIFICATIONS

Antenna Impedance

50 ohms, +/- 10 ohms

Frequency range

30 - 50 MHz, 150 - 172 MHz,
450 - 470 MHz

Freq stability over temp range

≤ 2.5 ppm from -30°C to +60°C

Spurious Response & Image Rejection

LB ≤ -70 dBm
HB ≤ -70 dBm
UHF ≤ -70 dBm
(measured per EIA-603, part 4.1.8)

Intermodulation Distortion Rejection

LB ≤ -70 dBm
HB ≤ -70 dBm
UHF ≤ -70 dBm
(measured per EIA-603, part 4.1.9)

Adjacent Channel Selectivity

LB ≤ -70 dBm
HB ≤ -70 dBm
UHF ≤ -70 dBm
(measured per EIA-603, part 4.1.6)

Sensitivity - 12dB SINAD

≤ 0.35 uV for 12 dB SINAD per EIA-603, Part 4.1.4

Sensitivity - 20dB Quieting

≤ 0.5 uV, 20 dB quieting

Squelch Sensitivity
w/ 1kHz tone @ 3kHz deviation

Minimum squelch setting = Open Squelch
Maximum squelch setting ≤ 29 dB SINAD

Shall be set at the reference decode sensitivity
(20dB SINAD) Shall open and close in less than 250 ms per
EIA-603, Part 4.1.13.2.4

| | |
|--|--|
| Audio Output with 1KHz tone at 3KHz deviation | 0.8 V _{p-p} +/- 0.20 V _{p-p} |
| Audio frequency response | 300 Hz – 3000 Hz, +/- 1 dB, w/ 6 dB per octave de-emphasis |
| Hum and Noise | -35 dB relative to full quieting signal w/1 kHz tone @ 3 kHz deviation |
| Audio distortion with 1Kc tone at 3Kc deviation | < 10% |
| Operating current | < 80 mA |
| Operating Voltage | 8 Volts DC +/- 0.25 Volts |
| Operating temp range | -30° + 60°C |
| Humidity range | 0 - 98%, non-condensing |
| Size | 3.5” x 3.5” |
| Weight | < 5 ounces |



This device complies with Part 15 of the FCC Rules. Operation is subject to the following two conditions: (1) This device may not cause harmful interference, and (2) this device must accept any interference received, including interference that may cause undesired operation.

CAUTION

Changes or modifications not expressly approved by Federal Signal could void the user's authority to operate the equipment.

NOTE: This equipment has been tested and found to comply with the limits for a Class B digital device, pursuant to part 15 of the FCC Rules. These limits are designed to provide reasonable protection against harmful interference in a residential installation. This equipment generates, uses and can radiate radio frequency energy and, if not installed and used in accordance with the instructions, may cause harmful interference to radio communications. However, there is no guarantee that interference will not occur in a particular installation. If this equipment does cause harmful interference to radio or television reception, which can be determined by turning the equipment off and on, the user is encouraged to try to correct the interference by one or more of the following measures:

- Reorient or relocate the receiving antenna.
- Increase the separation between the equipment and receiver.
- Connect the equipment into an outlet on a circuit different from that to which the receiver is connected.
- Consult the dealer or an experienced radio/TV technician for help.

SECTION III INSTALLATION

DANGER

Electrocution or severe personal injury can occur when making electrical connections, drilling holes, or lifting equipment. Therefore, installation should be performed by experienced electricians in accordance with national and local electrical codes acting under the direction of the installation crew safety foreman.

3-1. SIREN CONTROLLER INSTALLATION

The information in this section provides guidelines to aid the user. The FC series controllers are factory installed in 2001DC siren control cabinets. Therefore, parts A – C of this section are not applicable to 2001DC controllers.

WARNING

The output level of a siren is capable of causing permanent hearing damage to installation personnel or others in standard use. To prevent excessive exposure, carefully plan placement of the siren and post warnings.

If the siren is being installed as part of a Civil Defense Warning system, ALWAYS follow Federal Emergency Management Agency (FEMA) recommendations.

ALWAYS wear hearing protection when performing tests or maintenance on the siren.

Federal recommends that all control devices be padlocked to discourage tampering and vandalism.

A. Preliminary

Carefully inspect the unit for signs of damage that may have occurred in transit. Should there be any evidence of physical damage to the unit or components, notify the carrier immediately stating the extent of damage.

B. Controller Mounting

Ordinarily the FC Series Siren Controller will be mounted on a pole. A typical installation showing the relative location of the Controller is illustrated in figure 3-1. There are numerous methods that can be used to mount the controller. In all cases the installation must be rigid, secure, and free from physical shock or vibration.

If the controller is to be used in extremely hot climates, the controller should always be located out of the direct path of the sun.

If the antenna is to be mounted directly to the control cabinet, make sure the cabinet is mounted on the side of the pole facing the base station antenna. The FC unit has three 5/16" mounting holes located on both the top and bottom mounting flanges. 1/2" conduit fitting knockouts are provided in the bottom of the FC cabinet for AC power and siren control conduit connections. A ground stud is provided in the bottom of the FC cabinet, which must be connected to earth ground.

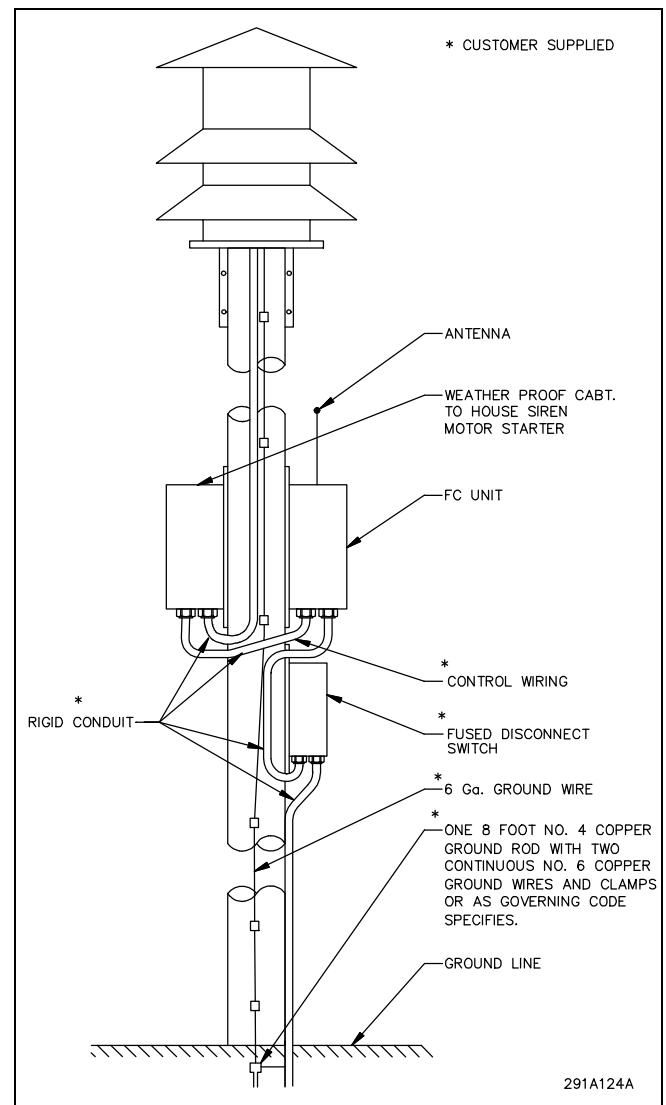


Figure 3-1. Typical Installation

D. Optional DC Power Connections

The FC can also operate from a 12 VDC battery or a filtered power supply between 11 to 15 VDC or 14 to 75 VDC. The DC power connections are made at JP5.

JP5 Inputs (Pin 1 faces top of PCB)
JP5 PIN 12 = GROUND
JP5 PIN 11 = 11-15 VDC
JP5 PIN 10 = GROUND
JP5 PIN 9 = 14 - 75 VDC

E. Optional Audio Output Connections

The FC provides an adjustable audio output at JP2. R61 adjusts the audio output level at JP2-1 between 0 and 2 V_{p-p}.

JP2 PIN 1 = AUDIO OUT
JP2 PIN 2 = GROUND

F. Complete I/O Listing

LED Indicators

| Reference | Description | Indication |
|------------------|--------------------|---|
| D48 | CPU LED | Microprocessor Heartbeat |
| D12 | RECEIVE LED | RF Carrier Indicator on w/ carrier |
| D7 | TRANSMIT LED | Transmit |
| D25 | RELAYS ARMED | Power to relays on |
| D29 | RELAY #1 LED | Relay #1 closed |
| D38 | RELAY #2 LED | Relay #2 closed |
| D39 | RELAY #3 LED | Relay #3 closed |
| D43 | RELAY #4 LED | Relay #4 closed, or PA mode |
| D15 | PRESSURE LED | Pressure Sensor input |
| D13 | INTRUSION LED | Intrusion Sensor input |
| D18 | CURRENT LED | Current Sensor input |
| D14 | ROTATION LED | Rotation Sensor input |
| D16 | LOW BATTERY LED | Low Battery Sensor (internal) |
| D17 | AC POWER FAIL LED | AC Power Fail Sensor (internal) |
| D34 | POWER LED | 12 V Operating Power |
| D36 | ISO 12V | Isolated 12V power |
| D34 | ISO 5V | Isolated 5V power |
| U16 | LCD Display | Displays Function Counters, Decodes and Software Revision |

JP1 SINAD

1 – Receiver module carrier detect, short to pin 2 when using SINAD board along with both sides of JP4.
2 – External transceiver carrier detect.

JP2 Test Speaker

1 – 0 to 2 V_{p-p}, Audio Source: Receiver Audio during P.A. functions, Siren Audio during Electronic Siren functions.
2 – Ground.

JP3 Short For VOX Carrier Detect

1 – Short to (JP3, pin 2), for VOX carrier detect.
2 –

- JP4 Receiver Priority**
 1 – VCC, +5V
 2 – VCC, +5V
 3 – Short pins 1 & 3 to give priority to the external transceiver.
 4 – Short pins 2 & 4 to give priority to the internal receiver.
 With no shorting jumper, first carrier detect has priority.
 Short both sides when using SINAD board along with JP1.3-3
- JP5 Sensor Inputs (#1 @ left edge)**
 1 – Pressure sensor input, dry Contact closure < 1 K.
 2 – ISO Ground.
 3 – Intrusion sensor input, dry Contact closure < 1 K.
 4 – ISO Ground.
 5 – Current sensor input, dry Contact closure < 1 K.
 6 – ISO Ground.
 7 – Rotation sensor input, dry Contact closure < 1 K.
 8 – ISO Ground.
 9 – 48 Volt Battery input to 48 Volt sensor and to power supply, 15 - 75VDC.
 10 – Ground.
 11 – 12 Volt Battery input to 12 Volt sensor and to power supply, 11–15VDC.
 12 – Ground.
- JP6 Speaker Mute gate bypass**
 Short pins 1&2 to bypass speaker mute gate, allow monitoring of radio channel with local speaker.
- JP7 Receiver Module**
 1 – Ground.
 2 – +8Volts DC, < 100 mA current.
 3 – Synthesizer programming Clock line, 0 to 5 Volt levels.
 4 – Synthesizer programming Data line, 0 to 5 Volt levels.
 5 – Synthesizer programming Latch line, 0 to 5 Volt levels.
 6 – Carrier Detect not line, goes low with carrier, 0 to 5 Volt levels.
 7 – Receive Audio, De-emphasized, 700 to 900 mV_{p-p} w/ 1kHz tone @ 3kHz dev.
 8 – Receive Audio, Flat.
- JP8 Serial and FLASH programming Port**
 1 –
 2 – TXD, standard RS232 levels.
 3 – RXD, standard RS232 levels.
 4 – Ground.
 5 – Processor Serial Clock, used during FLASH programming.
 6 – Processor Reset not, pulsed low (to Ground) during FLASH programming.
- JP9 LEDs on w/ Intrusion**
 1 – Short to pin 2, to disable LEDs when Intrusion switch is closed.
- JP10 Remote Activation and Sensor Inputs (#1 @ left edge of connector)**
 1 – Spare Sensor Input #2, dry Contact closure < 1 K.
 2 – ISO Ground.
 3 – Spare Sensor Input #1, dry Contact closure < 1 K.
 4 – ISO Ground.
 5 – Remote Activation Input #4, Activates Functions under code 4, dry Contact closure < 1 K.
 6 – ISO Ground.
 7 – Remote Activation Input #3, Activates Functions under code 3, dry Contact closure < 1 K.
 8 – ISO Ground.
 9 – Remote Activation Input #2, Activates Functions under code 2, dry Contact closure < 1 K.
 10 – ISO Ground.
 11 – Remote Activation Input #1, Activates Functions under code 1, dry Contact closure < 1 K.
 12 – ISO Ground.

- P1 Transceiver Interface**
 1 – Transmit audio, DC isolated, 0 to 1 V_{p-p}
 2 – Receive audio, DC isolated, 350 mV_{p-p} to 3 V_{p-p}
 3 – PTT not, goes low (<0.65 V) during transmit
 4 – Ground
 5 – +12 Volts DC, 100 mA max, 2A w/ battery.
 6 – Carrier Detect not, set low (<0.65 V) during receive
 7 – No connection
 8 – Ground
 9 – Ground
- TJ1 Test Jack**
 1 – Ground
 2 – Reference (+4 V)
 3 – Receive Audio
 4 – VCC (+5 V)
 5 – +8 V
 6 – +12 V
 7 – +17 V
 8 –
- TJ2 Test Jack**
 1 – Isolated +12 V
 2 – Isolated +5 V
 3 – Isolated Ground
- TP1 Two-Tone Decoder, HighPass Filter Enable**
 Goes high when processor is decoding a tone > 2100 Hz
- TP2 Receive audio to Two-Tone Decoder**
 Audio at last stage before two-tone comparator, 1 to 3 V_{p-p}.
- TP3 Transmit audio**
 0.1 to 3 V_{p-p}.
- TP4 Receive audio from Two-Tone Decoder to processor**
 Audio after two-tone comparator, square waves to processor, 0 to 5 V_{p-p}.
- TP5 Voltage at 48 Volt Battery Input**
 0 – 70 Volts = 0 – 5 Volts
- TP6 Voltage at 12 Volt Battery Input**
 0 – 20 Volts = 0 – 5 Volts
- TP7 Two-Tone Decoder, LowPass Filter Enable**
 Goes high when processor is decoding a tone < 400 Hz
- TP8 Receive audio level set**
 Receive audio set to 1 V_{p-p} using R58
- TP9 RX Data**
 Receive data from digital modem IC, 0 to 5 Volts.
- TP10 DTMF Decoder STD**
 Goes low whenever a DTMF digit is being decoded.
- TP11 8 Volt Regulated power supply**

- TP12** 5 Volt Regulated power supply
- TP13** Incoming unregulated 17 Volt power supply
- TP14** Ground
- TP15** 12 Volt Regulated power supply
- TP16** Isolated +12 Volt Regulated power supply
- TP17** Isolated +5 Volt Regulated power supply
- TP18** Isolated Ground

- S1** Local Activation #4
Press and hold for ½ second, Activates Functions under code 4.
- S2** Local Activation #1
Press and hold for ½ second, Activates Functions under code 1.
- S3** Local Activation #2
Press and hold for ½ second, Activates Functions under code 2.
- S4** Local Activation #3
Press and hold for ½ second, Activates Functions under code 3.
- S5** Processor Reset
- S7** 110 / 220 VAC Selector switch

- R48** Receive level set. Set for 1 V_{p-p} at TP8
- R61** Test Speaker output level set
- R70** MSK modem transmit deviation level set
- R71** DTMF transmit deviation level set

- S6** Site Address Switch
Sets units site number

3-2. FACTORS AFFECTING RADIO RECEPTION AND ANTENNA CONNECTION

WARNING

If the Radio system is not installed and calibrated properly, the controller may not receive the activation signals. This may cause the siren to fail and not operate in an emergency resulting in extensive property damage or death.

The radio network (transmitter, receiver and decoder) is the vital link to proper controller operation. As such it is imperative that the factors shown below, which could affect radio reception, be considered during installation.

A. All controller installations should be individually evaluated. Federal Signal Corporation maintains an engineering staff to recommend a suitable controller site location, the proper type and location of antenna and transmission line, and to answer any questions regarding the installation.

B. Distance from the transmitter is not necessarily the only factor which determines signal quality. The effects of terrain and structures can result in weak or variable reception at a given siren site.

It is desirable to evaluate each proposed site under various weather conditions by means of a portable receiver. Distance of a few hundred feet can often make a significant difference in signal strength.

C. Connect the antenna or antenna cable to the SO239 UHF connector.

D. The antenna should be mounted on the side of the pole facing the base station location. It should be mounted as high as possible; however the tip of the antenna should, when possible, be no closer than three feet from any metal siren mounting brackets.

E. In general, a gain antenna should be used if a site must be located in a known weak signal area.

F. The following paragraphs pertain to the operation of the transmitter, tone-generating equipment, and other equipment used at the base station.

1. Tone generating equipment used in a siren system requires frequency stability within $\pm 1\%$ and a total distortion of less than 5%. Tone duration must be compatible with the siren tone-timing scheme selected by the user.

2. It is important to arrange the base station keying circuitry so that the microphone is disconnected when the tones are transmitted to prevent microphone noise from distorting the signal.

3. To ensure good frequency response, the output of the tone encoder must be properly matched to the transmitter. Adjust the transmitter according to the manufacturer's instructions to provide the proper level of deviation. For best results, the transmitter deviation for a single or two-tone system should be 3.0 kHz, a DTMF system's deviation should be set at 3.0 kHz and a digital system should be set to 3 kHz. Key the transmitter, and set PL/DPL to 750 Hz, then strip PL/DPL and set DTMF/Tone deviation to 3.0 kHz.

3-3. PRE-OPERATION CHECKOUT

WARNING

Injury to the installer and/or damage to the FC unit may occur if the FC is wired incorrectly. Before applying power, verify that the FC unit has been wired in accordance with local and national electrical codes. Make sure the correct AC input is used to apply power.

Visually inspect the siren opening to make sure there are no obstructions and make sure all possible listeners are at least 30' below the bottom of the siren. If it is necessary to get closer to the siren, WEAR ADEQUATE HEARING PROTECTION.

A. Read above warnings.

B. Apply power to the control unit.

C. Press FUNC#1 and verify function #1 executes correctly. Verify that the siren coasts down and stops when the RESET button is pressed. Repeat this process for all functions used.

CAUTION

Other local siren sites may have the same activation code. Take appropriate precautionary measures.

D. Verify each function operates from all of the activation points.

E. Padlock all cabinets to help prevent tampering and vandalism.

SECTION IV

RF RECEIVER DESCRIPTION, ALIGNMENT AND TESTING

4-1. RECEIVER MODULE GENERAL DESCRIPTION

The Receiver Module is a fully shielded receiver that plugs into the FC controller. It is available in Low, High and UHF bands. Narrow band models are also available.

The FC control board provided power and adjusts the RX frequency of the receiver.

- Excellent selectivity, able to receive its signal while rejecting others.
- Clean, low distortion recovered audio.
- Noise based squelch circuit, doesn't open receiver in high radio noise environments i.e., near computers etc.

4-2. FEATURES

- Small size.
- Rugged construction utilizing surface mount components.
- Shielded receiver assembly to prevent interference.
- Available in 3 frequency bands from 30 MHZ to 450 MHZ.
- Low current draw, excellent for battery powered operation.
- Synthesized frequency selection.
- Wide temperature operating range.
- Excellent sensitivity.

4-3. TERMINAL STRIPS & JACKS, CONTROLS

Connectors and Jacks:

J1

Shield Ground
Center Antenna RF Input

J2

Pin 1 Ground
Pin 2 +8 VDC input
Pin 3 Clock line to synthesizer
Pin 4 Data line to synthesizer
Pin 5 Latch Enable line to synthesizer
Pin 6 Carrier Detect (goes low with carrier)
Pin 7 De-emphasized receive audio
Pin 8 Flat receive audio

Controls:

Squelch control = R1

4-4. THEORY OF OPERATION

A. The Power Supply

The receiver is designed to be powered from a regulated 8 Volt (+/- .25V) DC supply. The incoming 8 VDC passes to U5, a 5 Volt regulator, which powers most of the receiver. The 8 Volts also passes to U6, a 5 Volt regulator which powers the synthesizer's VCO section.

B. The VCO/Synthesizer

U8 is a combination synthesizer / VCO. The frequency of this oscillator is determined by data programmed from the processor on pins 2, 3, and 4. The output from the oscillator drives U9, a double balanced mixer. U6, C32, C33, C34, R29, C29, C30 and C31 form filtered power supplies for the oscillator and digital sections of the synthesizer.

U3 is a TCXO (temperature compensated crystal oscillator) at 20.95 MHz which serves as a second LO for the receiver and as the reference for the synthesizer. When the synthesizer is locked to, or in lock with, the reference (U9), the voltage on TP2 will be about 3.7 Volts. When out of lock it will be 0 Volts.

C. The Receiver Section

The receive signal enters from the antenna, thru J1 and passes to FL1. FL1 is a bandpass filter that attenuates frequencies outside of the receive band. The signal is then passed on to U7. U7 serves as an RF amplifier which boosts the level of the signal by about 18 dBm. The receive signal then passes thru bandpass filter FL2, which further attenuates out of band signals. These two filters keep out of band signals from entering the receiver and causing interference or de-sensitization. The filters also prevent the receiver from receiving the image frequency. The receiver can receive the VCO frequency + the IF frequency, or the VCO frequency - the IF frequency. The filters select the desired frequency and attenuate the other.

From FL2 the receive signal passes to U9, the first mixer. U9 mixes the receive signal with the VCO signal to produce the first IF (intermediate frequency) of 21.4 MHz.

The output of U9 is a double balanced output on pins 5 & 6. The 21.4 MHz receive signal is fed from pin 5, thru an impedance matching network, L6 and C46, to crystal filter Y3. Y3 filters out all frequencies except 21.4 MHz, +/- 7.5 kc. The signal is then fed to buffer amplifier Q1, which makes up some of the signal lost in Y3, and provides an impedance match to the receiver IC U4.

The 21.4 MHz receive signal enters U4 on pin 1 where it passes to an internal mixer. Here it is mixed with 20.95 MHz from U3, the reference oscillator. The resulting 450 kc signal comes out on pin 20 and is fed to ceramic filter Y1. It comes back in on pin 18, passes, through an amplifier and passes back out the ceramic filter Y2. Y1 and Y2 filter out all frequencies except 450 kc. The signal then passes in, on pin 13, to an internal limiter / amplifier. A voltage reflecting the strength of the received signal appears on pin 4 and on TP1. This can be used to align the receiver. The 450 kc receive signal then passes to an internal demodulator which, using L1, recovers the audio from the received signal. The audio appears at pin 8 of U4.

The receive audio is then fed to U2A, which filters out frequencies above 3kc then passes this audio to J2 pin 8. The receive audio also passes to U2B, which is a de-emphasis stage, filtering frequencies above 880 Hz by 6 dB per octave. The output of U2B passes to J2 pin 7.

The receive audio from U4 pin 8 is also fed thru R15 to U1B, an opamp / filter. This amplifier filters out and boosts frequencies above 5kc. This high frequency audio is converted to a DC voltage by D1, R13, R14 and C10. This voltage then passes to U1A, a comparator which, when the voltage drops below a threshold, will cause pin 1 to pull to ground. The squelch control sets the average DC level on pin 3 just above the threshold voltage. Thus when a signal is received by the receiver, the high frequency noise in the audio signal drops. The voltage produced by D1 drops, and the voltage on pin 3 drops below the threshold. The output on pin 1 pulls to ground, indicating the presence of a receive signal with sufficiently little noise. The output from pin 1 passes to J2 pin 6, the carrier detect output.

CAUTION

Remove power and use appropriate ESD protection before removing or installing the receiver on the control board to avoid damage to components.

NOTICE

All receivers have been carefully tested and aligned at the factory prior to shipment and, under normal operating conditions and use, should not require attention beyond that normally given to electronic equipment. Replacement of a critical or major component may require subsequent realignment of the receiver. Receiver alignment should be performed only by persons experienced in this work using the proper test equipment.

The controller should be setup with a service monitor or other type of calibrated RF signal generator plugged directly into the antenna port. Program the FC with the desired RF frequency and relay output timings using the FSPWARE programming software.

4-5. TEST AND ALIGNMENT

Checking the power supplies;

Power the unit up;

Confirm +5 VDC +/- 0.25 V at the "+" end of C42.

Confirm +5 VDC +/- 0.25V at the "+" end of C32.

Checking for Synthesizer Lock;

Monitor voltage on TP2 with a high impedance DC volt meter;

The voltage on TP2 should from 3.0 to 3.9V. If not, the synthesizer is out of lock.

Setting the Synthesizer on frequency;

Using a service monitor set in receive mode, monitor the frequency of the VCO by placing a pickup loop on top of the synthesizer, U8.

The VCO frequency should be the receive frequency - 21.4 MHz, unless the unit is a Lowband VHF unit, in which case the frequency will be 21.4 MHz + the receive frequency.

Adjust the frequency of the VCO using the trimmer cap in TCXO U3 until the frequency is within +/- 300Hz.

Aligning the receiver:

Using a service monitor set in generate mode, inject an unmodulated RF carrier signal into the receiver.

Connect an Oscilloscope to TP1. Set the Oscilloscope for 20 mV per Division, Bandwidth limiting On, and a DC offset of 0.60 to 1.0 Volts, whatever is required to see the trace on the scope.

Turn up the signal level into the receiver until the voltage on TP1 begins to rise.

For UHF units; adjust the coils in FL1 and then FL2 for the most voltage on TP1. TP1 will only rise to about 2 volts so it will be necessary to turn down the level from the service monitor during the tuning process.

Re-tune the coils in FL1 and FL2 after the first pass through, as tuning the stages ahead of a coil can change it's tuning.

Inject a 100 uV signal into the receiver and modulate the signal with a 1kHz tone at 3kHz deviation.

Monitor the receive audio at JP9 pin 7, or an equivalent point, on the FCM board. With an Oscilloscope, *carefully* adjust coil L1 for the most level.

The level at JP9 pin 7 should be 800 mVp-p +/- 200mV.

Connect a Distortion meter to TP8 on the FCM board and *slowly* adjust variable cap C46 for lowest distortion. Should be less than 3.0%.

Connect a SINAD meter to TP8 of the FCM board and reduce the level of the RF signal from the service monitor until the SINAD meter reads 12dB. This should be less

than 0.35 uV for all bands.

With the RF level at 12 dB SINAD, monitor Carrier Detect LED on the FCM board and adjust the squelch pot (R1) until the LED just comes on.

4-6. TCS/DCS PROGRAMMING

The optional TCS/DCS decoder will normally come preprogrammed from the factory. If field reprogramming is desired, set switches 1 thru 12 as per the table in figure 4-2.

With the unit oriented with JP1 at the bottom, switch 1 is the left most switch and a "0" from the programming table would be with the switch in the up or on position.

In Tone coded squelch mode, switches 7 thru 12 must be in the up or "1" down or off position.

In Digital coded squelch mode switches 1 thru 7 set the digital code, switch 10 sets the polarity of the transmit data, switch 11 sets the polarity of the receive data and switch 12 must be in the up or "0" position, indicating that the unit is set for digital coded squelch.

The transmit data polarity can only be set with the unit plugged into a controller which is connected to a transmitter of the same type that will be used in the final installation. The polarity switch should be set to whichever position causes other units of the same type to decode or, if a service monitor is available that decodes digital codes, which ever switch position causes the monitor to decode.

TCS TONE PROGRAMMING

| FREQ | CODE | SWITCH # | | | | | |
|----------|------|----------|---|---|---|---|---|
| | | 6 | 5 | 4 | 3 | 2 | 1 |
| 36.6* | | 0 | 0 | 0 | 0 | 1 | 0 |
| 37.9* | | 0 | 0 | 0 | 0 | 1 | 1 |
| 39.6* | | 0 | 0 | 0 | 1 | 0 | 0 |
| 44.4* | | 0 | 0 | 0 | 1 | 0 | 1 |
| 47.5* | | 0 | 0 | 0 | 1 | 1 | 0 |
| 49.2* | | 0 | 0 | 0 | 1 | 1 | 1 |
| 51.2* | | 0 | 0 | 1 | 0 | 0 | 0 |
| 53.0* | | 0 | 0 | 1 | 0 | 0 | 1 |
| 54.9* | | 0 | 0 | 1 | 0 | 1 | 0 |
| 56.8* | | 0 | 0 | 1 | 0 | 1 | 1 |
| 58.8* | | 0 | 0 | 1 | 1 | 0 | 0 |
| 63.0* | | 0 | 0 | 1 | 1 | 0 | 1 |
| 67.0 | XZ | 0 | 0 | 1 | 1 | 1 | 0 |
| 69.4* | | 0 | 0 | 1 | 1 | 1 | 1 |
| 71.9 | XA | 0 | 1 | 0 | 0 | 0 | 0 |
| 74.4 | WA | 0 | 1 | 0 | 0 | 0 | 1 |
| 77.0 | XB | 0 | 1 | 0 | 0 | 1 | 0 |
| 79.7 | SP | 0 | 1 | 0 | 0 | 1 | 1 |
| 82.5 | YZ | 0 | 1 | 0 | 1 | 0 | 0 |
| 85.4 | YA | 0 | 1 | 0 | 1 | 0 | 1 |
| 88.5 | YB | 0 | 1 | 0 | 1 | 1 | 0 |
| 91.5 | ZZ | 0 | 1 | 0 | 1 | 1 | 1 |
| 94.8 | ZA | 0 | 1 | 1 | 0 | 0 | 0 |
| 97.4 | ZB | 0 | 1 | 1 | 0 | 0 | 1 |
| 100.0 | 1Z | 0 | 1 | 1 | 0 | 1 | 0 |
| 103.5 | 1A | 0 | 1 | 1 | 0 | 1 | 1 |
| 107.2 | 1B | 0 | 1 | 1 | 1 | 0 | 0 |
| 110.9 | 2Z | 0 | 1 | 1 | 1 | 0 | 1 |
| 114.8 | 2A | 0 | 1 | 1 | 1 | 1 | 0 |
| 118.8 | 2B | 0 | 1 | 1 | 1 | 1 | 1 |
| 123.0 | 3Z | 1 | 0 | 0 | 0 | 0 | 0 |
| 127.3 | 3A | 1 | 0 | 0 | 0 | 0 | 1 |
| 131.8 | 3B | 1 | 0 | 0 | 0 | 1 | 0 |
| 136.5 | 4Z | 1 | 0 | 0 | 0 | 1 | 1 |
| 141.3 | 4A | 1 | 0 | 0 | 1 | 0 | 0 |
| 146.2 | 4B | 1 | 0 | 0 | 1 | 0 | 1 |
| 151.4 | 5Z | 1 | 0 | 0 | 1 | 1 | 0 |
| 156.7 | 5A | 1 | 0 | 0 | 1 | 1 | 1 |
| 159.8* | | 1 | 0 | 1 | 0 | 0 | 0 |
| 162.2 | 5B | 1 | 0 | 1 | 0 | 0 | 1 |
| 167.9 | 6Z | 1 | 0 | 1 | 0 | 1 | 0 |
| 171.3* | | 1 | 0 | 1 | 0 | 1 | 1 |
| 173.8 | 6A | 1 | 0 | 1 | 1 | 0 | 0 |
| 177.3* | | 1 | 0 | 1 | 1 | 0 | 1 |
| 179.9 | 6B | 1 | 0 | 1 | 1 | 1 | 0 |
| 183.5* | | 1 | 0 | 1 | 1 | 1 | 1 |
| 186.2 | 7Z | 1 | 1 | 0 | 0 | 0 | 0 |
| 189.9* | | 1 | 1 | 0 | 0 | 0 | 1 |
| 192.8 | 7A | 1 | 1 | 0 | 0 | 1 | 0 |
| 196.6* | | 1 | 1 | 0 | 0 | 1 | 1 |
| 199.5* | | 1 | 1 | 0 | 1 | 0 | 0 |
| 203.5 | M1 | 1 | 1 | 0 | 1 | 0 | 1 |
| 206.5* | | 1 | 1 | 0 | 1 | 1 | 0 |
| 210.7 | | 1 | 1 | 0 | 1 | 1 | 1 |
| 218.1 | | 1 | 1 | 1 | 0 | 0 | 0 |
| 225.7 | | 1 | 1 | 1 | 0 | 0 | 1 |
| 229.1* | | 1 | 1 | 1 | 0 | 1 | 0 |
| 233.6 | | 1 | 1 | 1 | 0 | 1 | 1 |
| 241.8 | | 1 | 1 | 1 | 1 | 0 | 0 |
| 250.3 | | 1 | 1 | 1 | 1 | 0 | 1 |
| 254.1* | | 1 | 1 | 1 | 1 | 1 | 0 |
| SW7-OFF | | | | | | | |
| SW8-OFF | | | | | | | |
| SW9-OFF | | | | | | | |
| SW10-OFF | | | | | | | |
| SW11-OFF | | | | | | | |
| SW12-OFF | | | | | | | |

"1" = AN OFF SWITCH
 "0" = AN ON SWITCH
 "*" NOT EIA STANDARD TONES

DCS PROGRAMMING

| OCTAL CODE | SWITCH # | | | | | | |
|------------|----------|---|---|---|---|---|---|
| | 7 | 6 | 5 | 4 | 3 | 2 | 1 |
| 023 | 0 | 0 | 0 | 0 | 0 | 0 | 0 |
| 025 | 0 | 0 | 0 | 0 | 0 | 0 | 1 |
| 026 | 0 | 0 | 0 | 0 | 0 | 1 | 0 |
| 031 | 0 | 0 | 0 | 0 | 0 | 1 | 1 |
| 032 | 0 | 0 | 0 | 0 | 1 | 0 | 0 |
| 043 | 0 | 0 | 0 | 0 | 1 | 0 | 1 |
| 047 | 0 | 0 | 0 | 0 | 1 | 1 | 0 |
| 051 | 0 | 0 | 0 | 0 | 1 | 1 | 1 |
| 054 | 0 | 0 | 0 | 1 | 0 | 0 | 0 |
| 065 | 0 | 0 | 0 | 1 | 0 | 0 | 1 |
| 071 | 0 | 0 | 0 | 1 | 0 | 1 | 0 |
| 072 | 0 | 0 | 0 | 1 | 0 | 1 | 1 |
| 073 | 0 | 0 | 0 | 1 | 1 | 0 | 0 |
| 074 | 0 | 0 | 0 | 1 | 1 | 0 | 1 |
| 114 | 0 | 0 | 0 | 1 | 1 | 1 | 0 |
| 115 | 0 | 0 | 0 | 1 | 1 | 1 | 1 |
| 116 | 0 | 0 | 1 | 0 | 0 | 0 | 0 |
| 125 | 0 | 0 | 1 | 0 | 0 | 0 | 1 |
| 131 | 0 | 0 | 1 | 0 | 0 | 1 | 0 |
| 132 | 0 | 0 | 1 | 0 | 0 | 1 | 1 |
| 134 | 0 | 0 | 1 | 0 | 1 | 0 | 0 |
| 143 | 0 | 0 | 1 | 0 | 1 | 0 | 1 |
| 152 | 0 | 0 | 1 | 0 | 1 | 1 | 0 |
| 155 | 0 | 0 | 1 | 0 | 1 | 1 | 1 |
| 156 | 0 | 0 | 1 | 1 | 0 | 0 | 0 |
| 162 | 0 | 0 | 1 | 1 | 0 | 0 | 1 |
| 165 | 0 | 0 | 1 | 1 | 0 | 1 | 0 |
| 172 | 0 | 0 | 1 | 1 | 0 | 1 | 1 |
| 174 | 0 | 0 | 1 | 1 | 1 | 0 | 0 |
| 205 | 0 | 0 | 1 | 1 | 1 | 0 | 1 |
| 223 | 0 | 0 | 1 | 1 | 1 | 1 | 0 |
| 226 | 0 | 0 | 1 | 1 | 1 | 1 | 1 |
| 243 | 0 | 1 | 0 | 0 | 0 | 0 | 0 |
| 244 | 0 | 1 | 0 | 0 | 0 | 0 | 1 |
| 245 | 0 | 1 | 0 | 0 | 0 | 1 | 0 |
| 251 | 0 | 1 | 0 | 0 | 0 | 1 | 1 |
| 261 | 0 | 1 | 0 | 0 | 1 | 0 | 0 |
| 263 | 0 | 1 | 0 | 0 | 1 | 0 | 1 |
| 265 | 0 | 1 | 0 | 0 | 1 | 1 | 0 |
| 271 | 0 | 1 | 0 | 0 | 1 | 1 | 1 |
| 306 | 0 | 1 | 0 | 1 | 0 | 0 | 0 |
| 311 | 0 | 1 | 0 | 1 | 0 | 0 | 1 |

SW8-OFF
 SW9-OFF
 SW10-OFF TX DATA NON-INVERTED
 SW10-ON TX DATA INVERTED
 SW11-OFF RX DATA NON-INVERTED
 SW11-ON RX DATA INVERTED
 SW12-ON DIGITAL CODED SQUELCH
 SW12-OFF TONE CODED SQUELCH

"1" = AN OFF SWITCH
 "0" = AN ON SWITCH

DCS PROGRAMMING

| OCTAL CODE | SWITCH # | | | | | | |
|------------|----------|---|---|---|---|---|---|
| | 7 | 6 | 5 | 4 | 3 | 2 | 1 |
| 315 | 0 | 1 | 0 | 1 | 0 | 1 | 0 |
| 331 | 0 | 1 | 0 | 1 | 0 | 1 | 1 |
| 343 | 0 | 1 | 0 | 1 | 1 | 0 | 0 |
| 346 | 0 | 1 | 0 | 1 | 1 | 0 | 1 |
| 351 | 0 | 1 | 0 | 1 | 1 | 1 | 0 |
| 364 | 0 | 1 | 0 | 1 | 1 | 1 | 1 |
| 365 | 0 | 1 | 1 | 0 | 0 | 0 | 0 |
| 371 | 0 | 1 | 1 | 0 | 0 | 0 | 1 |
| 411 | 0 | 1 | 1 | 0 | 0 | 1 | 0 |
| 412 | 0 | 1 | 1 | 0 | 0 | 1 | 1 |
| 413 | 0 | 1 | 1 | 0 | 1 | 0 | 0 |
| 423 | 0 | 1 | 1 | 0 | 1 | 0 | 1 |
| 431 | 0 | 1 | 1 | 0 | 1 | 1 | 0 |
| 432 | 0 | 1 | 1 | 0 | 1 | 1 | 1 |
| 445 | 0 | 1 | 1 | 1 | 0 | 0 | 0 |
| 464 | 0 | 1 | 1 | 1 | 0 | 0 | 1 |
| 465 | 0 | 1 | 1 | 1 | 0 | 1 | 0 |
| 466 | 0 | 1 | 1 | 1 | 0 | 1 | 1 |
| 503 | 0 | 1 | 1 | 1 | 1 | 0 | 0 |
| 506 | 0 | 1 | 1 | 1 | 1 | 0 | 1 |
| 516 | 0 | 1 | 1 | 1 | 1 | 1 | 0 |
| 532 | 0 | 1 | 1 | 1 | 1 | 1 | 1 |
| 546 | 1 | 0 | 0 | 0 | 0 | 0 | 0 |
| 565 | 1 | 0 | 0 | 0 | 0 | 0 | 1 |
| 606 | 1 | 0 | 0 | 0 | 0 | 1 | 0 |
| 612 | 1 | 0 | 0 | 0 | 0 | 1 | 1 |
| 624 | 1 | 0 | 0 | 0 | 1 | 0 | 0 |
| 627 | 1 | 0 | 0 | 0 | 1 | 0 | 1 |
| 631 | 1 | 0 | 0 | 0 | 1 | 1 | 0 |
| 632 | 1 | 0 | 0 | 0 | 1 | 1 | 1 |
| 654 | 1 | 0 | 0 | 1 | 0 | 0 | 0 |
| 662 | 1 | 0 | 0 | 1 | 0 | 0 | 1 |
| 664 | 1 | 0 | 0 | 1 | 0 | 1 | 0 |
| 703 | 1 | 0 | 0 | 1 | 0 | 1 | 1 |
| 712 | 1 | 0 | 0 | 1 | 1 | 0 | 0 |
| 723 | 1 | 0 | 0 | 1 | 1 | 0 | 1 |
| 731 | 1 | 0 | 0 | 1 | 1 | 1 | 0 |
| 732 | 1 | 0 | 0 | 1 | 1 | 1 | 1 |
| 734 | 1 | 0 | 1 | 0 | 0 | 0 | 0 |
| 743 | 1 | 0 | 1 | 0 | 0 | 0 | 1 |
| 754 | 1 | 0 | 1 | 0 | 0 | 1 | 0 |

Figure 4-1. PL Programming Chart
 4-5

SECTION V

MAINTENANCE, SERVICE AND SPARE PARTS

5-1. PREVENTIVE MAINTENANCE

Test the Siren Controller for proper operation at least once a month. A daily test at noon, curfew, or other selected time is preferred. This not only enhances the usefulness of the siren, but also instills public confidence in the reliability of the warning system.

In order to minimize the possibility of Siren Controller failure, annual inspection and maintenance is desirable. This schedule is only a suggested guideline. It may be necessary to vary the schedule if the siren is used frequently or if it is used in an extreme climate.

5-2. INSPECTION

1. Check the integrity of the installation. Make sure mounting; conduit, antenna, and connections are secure.
2. Check enclosure for signs of water entry or corrosion. Seal any leaks, and repaint any flaws in the painted finish.
3. Check contacts of the control relay(s). Replace relay(s) if contacts are excessively worn.
4. Test the controller for proper operation. All functions of the controller should be tested locally and via radio when applicable.
5. If the controller is not operating properly, check the power supply as follows:

5-3. POWER SUPPLY TESTING

Refer to figure 5-1 at the end of this section for component locations.

1. Remove AC power from the service disconnect and check F1 and F2 on the control board.

CAUTION

Use appropriate ESD protection when touching and shipping electronic parts to avoid component damage. Improper shipping may void warranty.

2. Re-connect power.
3. Check the voltage at test point TP10 for 13 to 17 VDC. The "POWER" LED, D34, should be on.
4. Check the voltage at test point TP11 for 8.0 VDC +/- 0.25 VDC.
5. Check the voltage at test point TP12 for 5.0VDC +/- 0.25 VDC.
6. Confirm that the "HEARTBEAT" LED #D48 is flashing.

5-4. SERVICE

If the FC is not functioning properly, inspect the unit per sections 5-2 and 5-3. Federal Signal will provide technical assistance with problems that cannot be handled satisfactorily and promptly locally. If assistance is required, contact:

PSS Customer Care Center
Signal Division
Federal Signal Corporation
2645 Federal Signal Drive
University Park, Illinois 60484
800-524-3021

5-5. SPARE PARTS LIST

Refer to figure 5-1 on the following page for component locations.

F1 148A142A-01
F2 148A135
CTCSS 2001107
ANT. CABLE 175902A-07
BULKHEAD 124A056
MAIN PC BOARD.. 2005263

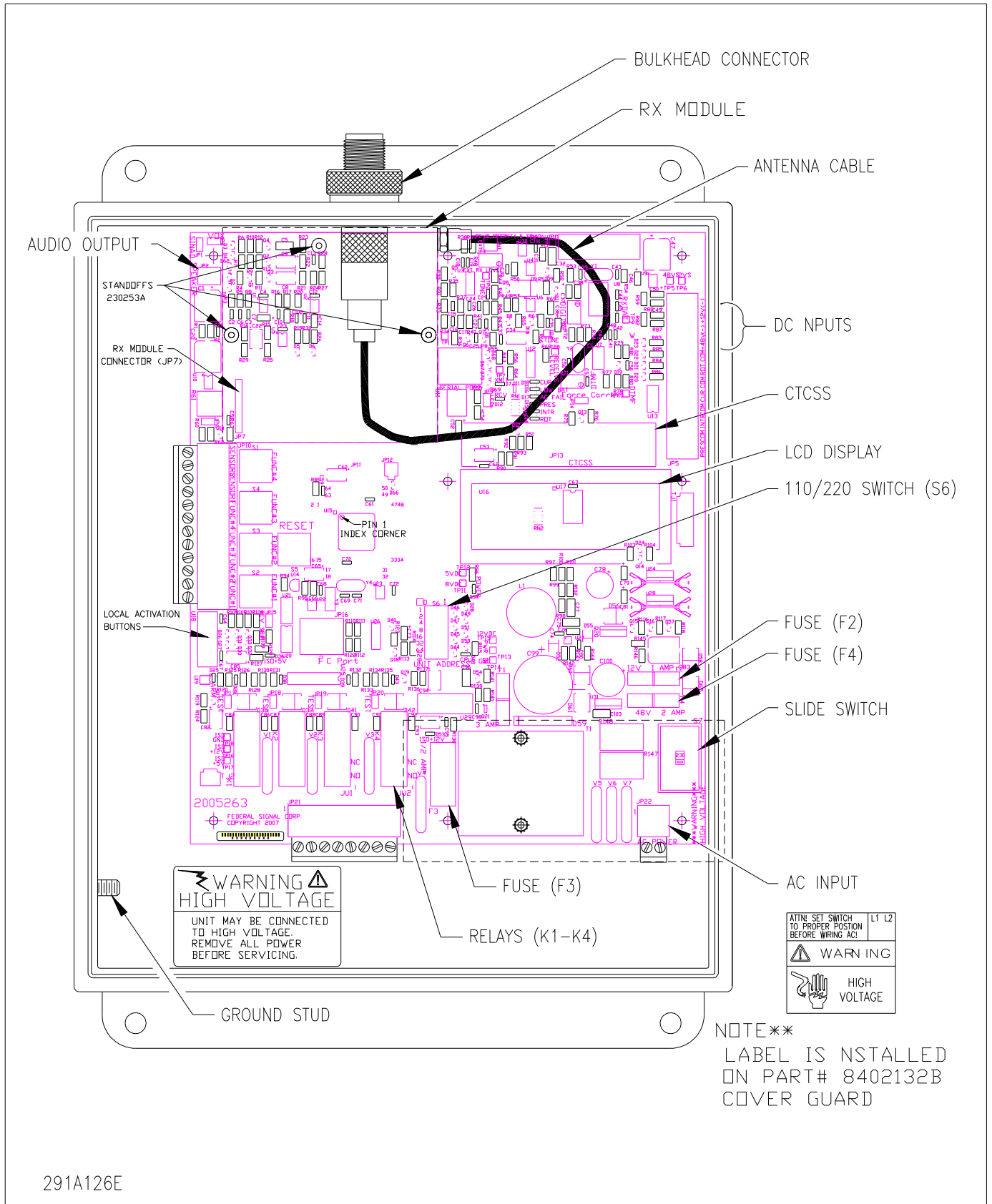


Figure 5-1. FC Assembly Drawing